

# NCR-662-VHA

H.264++, 5MP Middle Range LPR Camera,  
Smart LPR Modes, P-Iris, True WDR



## Main Features

- 30fps@5MP
- Smart LPR Modes
- Capture Plate Distance 6M~10M
- Car Speed 100KM/h max.
- Advance P-Iris
- 110 dB True WDR

ONVIF



## Product Overview

NEXCOM introduces new H.264++ IR vandal bullet type IP camera, offering outstanding 5MP image quality including zoom focus function, True WDR with H.264++ streaming and no matter car is moving at high speed or it is rainy during day & night. NCR-662-VHA IP Camera is suitable for building surveillance solutions for parking, gate entrances, barriers, etc. It is able to overcome variation light condition and capture plates clearly within 6M~10M distances when cars are moving. Smart LPR Modes are available for clients to attain optimized result during the whole day. IK10 and IP66/IP67 makes IP camera ideal for all kind of extremely working behavior.

## H.264++ Technology

The H.264++ technology could reduce bandwidth to perform excellent video compression rate with lower storage consumption. Under the same image quality level if we compare with traditional H.264++ technology can help to save 25%~50% data flowloading or even 98-99% possible bitrate reduction for still scenes to enhance IP camera system performance.



## Ultra Low-Light

High sensitivity sensor which features sensitivity less than 0.01 Lux. It can capture good images under the extreme low-light conditions.



## Smart LPR Modes

Smart LPR Modes are available with customized and optimized difference parameter settings in order to meet most variations in light, weather and other environmental factors during a day. It is providing clients with more flexibility to attain optimized image results.

When car is moving at high speed



When headlight of car is opened



## Specifications

### Camera General Information

Image Sensor	1/1.8" 6MP True WDR progressive scan CMOS sensor
Minimum Illumination	B/W 0 lux / Color 0.1 lux
Lens	12mm~40mm Motorized Lens, F2.1
Field of View	Horizontal:11°~33° Vertical:8°~25° Diagonal:14°~43°
Iris Type	P-Iris
Day and Night	YES (True D/N)
IR Distance	Effective up to 40M
Target Capture Plate	Reflective
Capture Plate Distance	10M-20M.
Car Moving Speed	0~100KM/h
IR Wavelength	850nm
ICR	YES
WDR	YES (True WDR), 110dB
Image Enhance	Brightness, Contrast, Saturation, Sharpness, Hue, Rotation, Flip, Day/Night, Anti-flicker, AWB, BLC, Corridor
Defog	Support
Digital Image Stabilization (DIS)	Support
Analytics	Optional

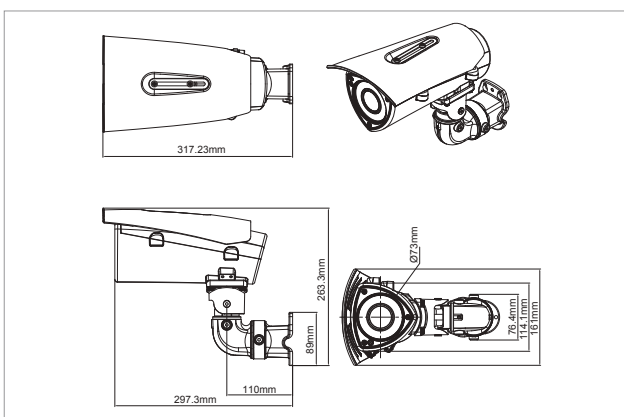
### Video

Video Compression	H.264++/M-JPEG
Video Streaming	Triple streaming
Video Quality	VBR/CVBR
Frame Rate	2048x1536 @30 fps 1920x1080 @30 fps 1280x720 @30 fps 640x480 @30 fps 640x360 @30 fps 320x240 @30 fps

### Audio

Audio Streaming	Two-way
Audio Compression	G.711 8KHz/16 bits
Audio Input	Line-in
Audio Output	Line-out

## Dimension Drawing



### Network

Interface	10/100/1000 Mbps ETHERNET, RJ-45
Supported Protocols	HTTP,HTTPS, TCP/IP, UDP, RTP, RTSP,RTCP, FTP client ,FTP server, SMTP,NFS, DHCP, DNS, DDNS, NTP, uPnP, ONVIF, IPv4/v6, SNMP,SSL, LDAP,802.1x,BT28181,SSH
Browser	Internet Explorer, Chrome, Firefox, Safari
Security	Multi-level passwords/HTTP encryption

### I/O Connector

Audio in/ out port	3.5mm phone jack x 1
D I/O	DI x 1, DO x 1
RS485	N/A
Micro SD Card Slot	YES, SD Card Slot x 1
RJ45	YES

### Event Management

Event Trigger	Alarm, Motion detection, Sabotage
Notifications	Trigger alarm output, e-mail/FTP and record Snapshot/video to Network storage or SD card
Post Recording	YES
Pre Recording	YES

### Power

DC/AC	DC 12V/AC 24V terminal block
PoE	YES/IEEE 802.3at (PoE+)

### General

Power Consumption	18W max.
Weight	3kg
Dimension	317.23mm (D) x 161mm (W) x 263.3mm (H)
Operating Temp.	-40°C~60°C / -40°F~140°F
Humidity	90%RH (no condensation)
Certification	CE/FCC
Vandal Resistant	IK10
Weather Proof	IP66/IP67
Application	SDK available for application development

### Packaging Information

NWT	3 kg
GWT	3.1 kg
Dimension	311mm (D) x 286mm (W) x 178mm (H)

## Ordering Information

- ◆ NCr-662-VHA (P/N:10HR0066200X0)